

# FS-8700-106 – Rapid Engineering ICSI or ICSII Controller Protocol

DATASHEET – Rev 5

## DESCRIPTION

This driver is used to exchange data between a FieldServer and an ICSI or ICSII HVAC controller device manufactured by Rapid Engineering.

The driver is a serial driver using a RS485 serial port to connect between the FieldServer and the ICSII capable device.

The driver provides client functionality. As a client the driver can poll for data from the ICSI or ICSII device as well as being able to some control points and set points. Details are provided below.

Server functionality is built into the driver but is not documented or supported. This functionality is implemented to support our ongoing QC efforts.

The driver is fully compatible with other FieldServer drivers and meets FieldServer's quality assurance standards. The driver was developed by Chipkin Automation Systems, an Approved FieldServer Integrator.



## CONNECTION FACTS

FIELDSEVER MODE	NODES	COMMENTS
Client	99	<p>Up to 99 ICSI or ICSII devices can be linked on one RS485 network. The functional specification of the EIA485 standard limits the number of nodes per segment to 32. If additional network segments are required then repeaters are required.</p> <p>The network must consist exclusively of ICSI or ICSII devices. For mixed configurations call for more info.</p>

## FORMAL DRIVER TYPE

Serial  
Client

## COMPATIBILITY

FIELDSEVER MODEL	COMPATIBLE
FS-x2010	Yes
FS-x2011	Yes
FS-x40	Yes
FS-X30	Yes

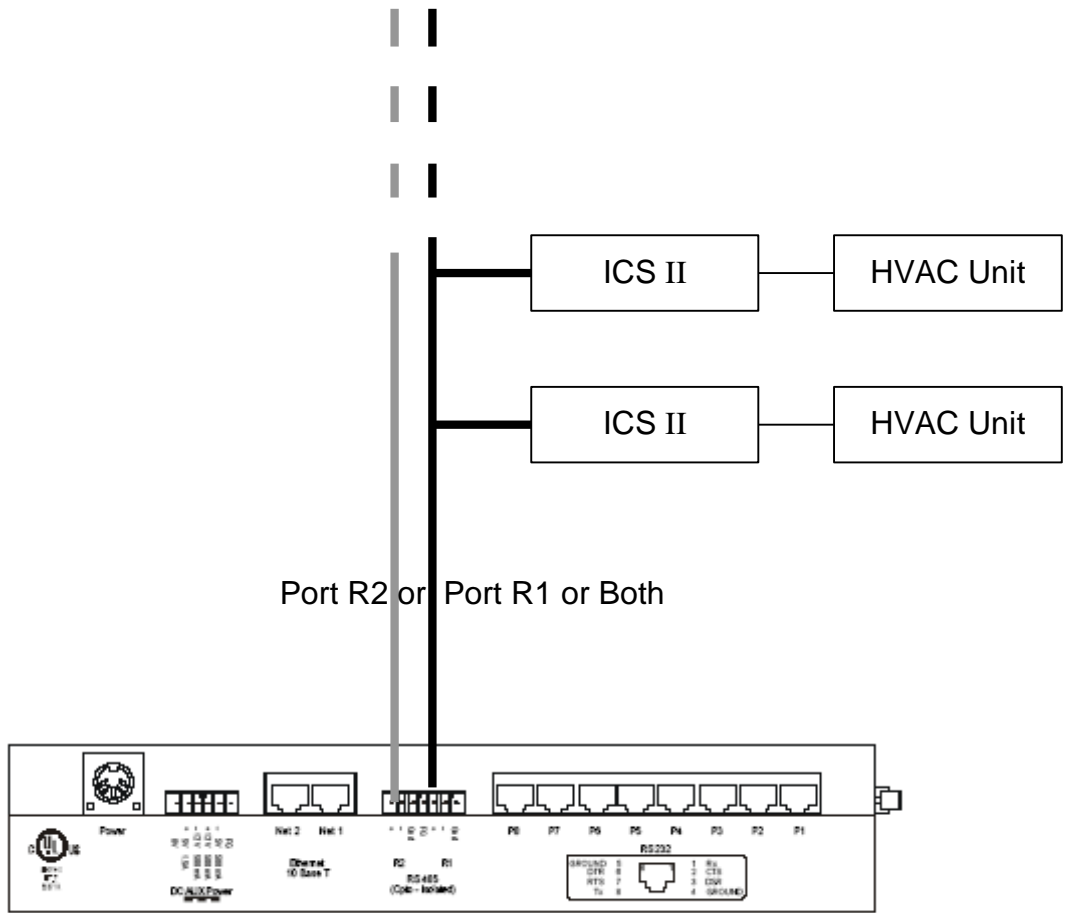
## CONNECTION INFORMATION

Connection Type: EIA485  
Baud Rates: Driver Supports: 110; 300; 600; 1200; 2400; 4800; **9600**;  
19200; 28800; 38400; 57600; 115200 Baud  
Vendor Equipment support 9600 Baud  
Data Bits: Driver Supports: **7,8**  
Stop Bits: Driver Supports: **1,2**  
Parity: Driver Supports: Odd, **Even**, None  
Hardware Interface: N/A  
Multidrop Capability: Yes

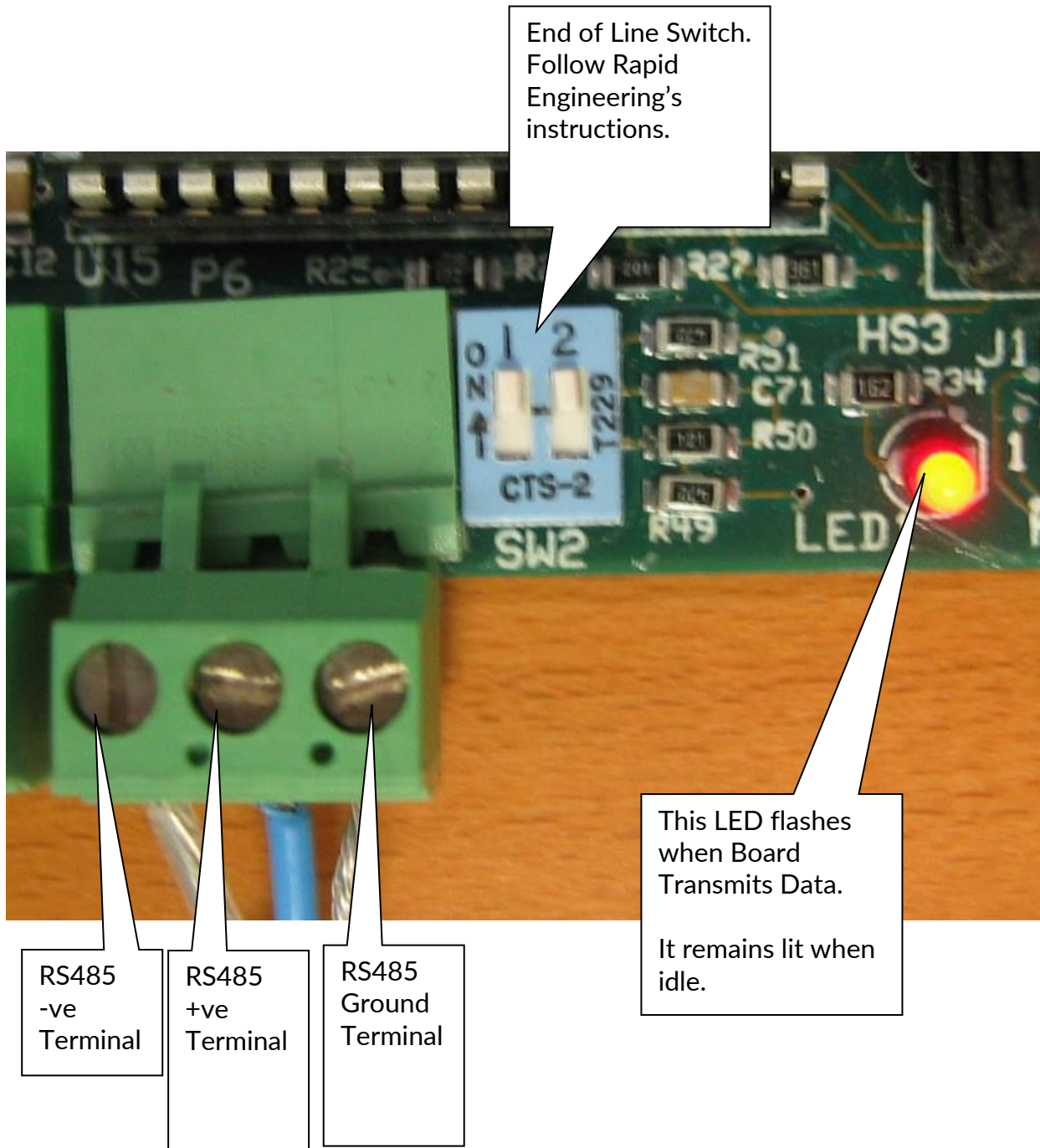
## DEVICES TESTED

DEVICE	TESTED (FACTORY, SITE)
Call Sequoia for an update on this information.	This driver has been tested at Sequoia Engineering (an approved FieldServer Integrator) using an ICSII controller during July 2004. It was subsequently tested in Beta form by a customer connected to a network of ICSII controllers during August 2004. Since then the driver has been successfully installed at a number of sites.

## CONNECTION CONFIGURATIONS



## CONNECTION NOTES



## COMMUNICATION FUNCTIONS

### Read / Write Operations supported

CMD	FIELDSEVER AS A CLIENT
1	Heater Status Report (Read command)
2	Setpoints Report (Read command)
3	Occupied Schedule for Air handler (Read Command)
4	Aux. Output Schedule Report. (Read Command)
5	Setpoint Range Report (Read Command)
6	Error and Reset (Read / Write command)
7	Last Power UP and Energy Info Report (Read Command)
8	Change Mode ( Write Command)
9	Change Setpoint (Write Command)
10	Change Schedule for Air handler (Write command)
20	Change Schedule for Aux Output (Write command)
11	Zero Energy Counters ( Write Command)
13	Aux Output control definition / setpoint (Write command)
12	Version Info & Config ( Read Command)
Uni#1	Universal Command to Change Date, time (Write Command)

### Unsupported Functions and Data Types

CMD #	DESCRIPTION

## Data Points

The FieldServer reads data from the ICSII device. The data points below are the points available to the FieldServer but this does not necessarily mean that they are valid for the HVAC device connected to the ICSII.

DESCRIPTION	CATEGORY	R/W
day of week	Heater Status Info	R
date (MMDDYY)	Heater Status Info	R
(HHMM)	Heater Status Info	R
mode	Heater Status Info	R
current state	Heater Status Info	R
current space temp setpoint	Heater Status Info	R
space temp times 10	Heater Status Info	R
discharge temp	Heater Status Info	R
outside air temp	Heater Status Info	R
pressure setpoint times 1000	Heater Status Info	R
pressure times 1000	Heater Status Info	R
outside air damper	Heater Status Info	R

## FS-8700-106 – Rapid Engineering ICSI

return air damper	Heater Status Info	R
inputs (hex)	Heater Status Info	R
outputs (hex)	Heater Status Info	R
current error	Heater Status Info	R
<i>space relative humidity</i>	Heater Status Info	R
<i>valve position</i>	Heater Status Info	R
<i>future</i>	Heater Status Info	R
<i>future</i>	Heater Status Info	R
occupied temperature	Setpoints Info	RW
unoccupied temperature	Setpoints Info	RW
maximum discharge temperature	Setpoints Info	RW
minimum discharge temperature	Setpoints Info	RW
building pressure times 100	Setpoints Info	RW
occupied burner turnoff times	Setpoints Info	RW
unoccupied heater turnoff times	Setpoints Info	RW
occupied open relief times	Setpoints Info	RW
unoccupied open relief times	Setpoints Info	RW
low temperature shutdown	Setpoints Info	RW
percent outside air	Setpoints Info	RW
burner turnoff setpoint enable/disable(1=Enable)	Setpoints Info	RW
outside air temp. control enable/disable(1=Enable)	Setpoints Info	RW
<i>room relative humidity setpoint</i>	Setpoints Info	RW
<i>dry-bulb economizer setpoint</i>	Setpoints Info	RW
<i>econ type (0,1,2) none, dry-bulb, enthalpy</i>	Setpoints Info	RW
<i>future</i>	Setpoints Info	RW
<i>future</i>	Setpoints Info	RW
period(1,5,9,13,17 ), start (XXXXX = DHHMM)	Occupied Schedule for Air Handler	RW
period(1,5,9,13,17 ), stop (XXXXX = DHHMM)	Occupied Schedule for Air Handler	RW
period(2,6,10,14,18), start (XXXXX = DHHMM)	Occupied Schedule for Air Handler	RW
period(2,6,10,14,18), stop (XXXXX = DHHMM)	Occupied Schedule for Air Handler	RW
period(3,7,11,15,19), start (XXXXX = DHHMM)	Occupied Schedule for Air Handler	RW
period(3,7,11,15,19), stop (XXXXX = DHHMM)	Occupied Schedule for Air Handler	RW
period(4,8,12,16,20), start (XXXXX = DHHMM)	Occupied Schedule for Air Handler	RW

## FS-8700-106 – Rapid Engineering ICSI

period(4,8,12,16,20), stop (XXXXX = DHHMM)	Occupied Schedule for Air Handler	RW
period(na,na,na,na,21), start (XXXXX = DHHMM)	Occupied Schedule for Air Handler	RW
period(na,na,na,na,21), stop (XXXXX = DHHMM)	Occupied Schedule for Air Handler	RW
period(1,5,9,13,17), start (XXXXX = DHHMM)	Aux Output Schedule	RW
period(1,5,9,13,17), stop (XXXXX = DHHMM)	Aux Output Schedule	RW
period(2,6,10,14,18), start (XXXXX = DHHMM)	Aux Output Schedule	RW
period(2,6,10,14,18), stop (XXXXX = DHHMM)	Aux Output Schedule	RW
period(3,7,11,15,19), start (XXXXX = DHHMM)	Aux Output Schedule	RW
period(3,7,11,15,19), stop (XXXXX = DHHMM)	Aux Output Schedule	RW
period(4,8,12,16,20), start (XXXXX = DHHMM)	Aux Output Schedule	RW
period(4,8,12,16,20), stop (XXXXX = DHHMM)	Aux Output Schedule	RW
period(na,na,na,na,21), start (XXXXX = DHHMM)	Aux Output Schedule	RW
period(na,na,na,na,21), stop (XXXXX = DHHMM)	Aux Output Schedule	RW
occupied temperature, minimum maximum	Setpoint Ranges	R
unoccupied temperature, minimum maximum	Setpoint Ranges	R
maximum discharge temperature, minimum maximum	Setpoint Ranges	R
minimum discharge temperature, minimum maximum	Setpoint Ranges	R
building pressure, minimum maximum	Setpoint Ranges	R
occupied burner turnoff, minimum maximum	Setpoint Ranges	R
unoccupied heater turnoff, minimum maximum	Setpoint Ranges	R
occupied open relief, minimum maximum	Setpoint Ranges	R
unoccupied open relief, minimum maximum	Setpoint Ranges	R
low temperature shutdown, minimum maximum	Setpoint Ranges	R

## FS-8700-106 – Rapid Engineering ICSI

percent outside air, minimum maximum	Setpoint Ranges	R
error log no. 1, error no., MMDDYY, HHMM	Error Info	R
error log no. 2, error no., MMDDYY, HHMM	Error Info	R
error log no. 3, error no., MMDDYY, HHMM	Error Info	R
error log no. 4, error no., MMDDYY, HHMM	Error Info	R
last power up date (MMDDYY)	Last Power UP and Energy Info	R
last power up time (HHMM)	Last Power UP and Energy Info	R
number of power ups	Last Power UP and Energy Info	R
number of fan starts	Last Power UP and Energy Info	R
cumulative fan hours on, thousands	Last Power UP and Energy Info	R
cumulative fan hours on, 0-999	Last Power UP and Energy Info	R
CCF - thousands	Last Power UP and Energy Info	R
CCF - 0-999	Last Power UP and Energy Info	R
CCFH - low rate * 100 (CCF)	Last Power UP and Energy Info	R
CCFH - min rate * 100 (CCF)	Last Power UP and Energy Info	R
CCFH - max rate * 100 <- NOTE: *100 (CCF)	Last Power UP and Energy Info	R
CCFH - high rate * 100 <- NOTE: *100 (CCF)	Last Power UP and Energy Info	R
CCFH - current rate (same as 9-12 ??)	Last Power UP and Energy Info	R
Reset Fan Energy Counter	Reset Energy Counters	W
Reset Gas Energy counter	Reset Energy Counters	W
Control Type	Aux output control Settings	W
Sub Type	Aux output control Settings	W
Level	Aux output control Settings	W



## CUSTOMER SUPPORT

Rapid Engineering ICSI or ICSII Controller Protocol Driver Driver for FieldServer was developed by Chipkin, and we are proud to provide support for our products. For technical support, sales and customer service, please call us at 1 (866) 383-1657.

Thanks for choosing Chipkin's products and integration services to meet your building and industrial automation requirements!

Chipkin™ is a building and industrial automation protocol expert. We develop, configure, install and support gateways (protocol converters), data loggers and remote monitor and controlling applications. Founded in October 2000, Chipkin provides expert solutions for converting BACnet®, Modbus®, and LonWorks®—to name just a few—and enabling interfaces for HVAC, fire, siren, intercom, lighting, transportation and fuel systems. The high-quality products we offer (including those from other vendors) interface with Simplex™, Notifier™, McQuay™, GE™ and many others—so you can rest assured that we will select the most appropriate solution for your application.

With Chipkin you are buying a solution. Our configuration expertise in this field combined with free BACnet and other tools ensure your success; and our customer support via phone, email and remote desktop tools means that we are there when you need us. Chipkin is a small responsive company, and we live or die by the quality of our service—and with offices in two time zones—we can provide support when you need it. Give us a call now!

## Sales and Customer Service

Toll Free: +1 866 383 1657

Email: [salesgroup1@chipkin.com](mailto:salesgroup1@chipkin.com)

All contents are Copyright © 2000-2021 Chipkin Automation Systems Inc. All rights reserved.  
This document is Chipkin Public Information

## REVISION HISTORY

DATE	RESP.	DRIVER VERSION	DOCUMENT REVISION	COMMENTS
12 May 2004	PMC	0.00	0	Initial Draft issued for customer review.
19 Jun 2004	PMC	1.00a	1	1st Release. Minor changes to DFS. Only change of note was to remove function 12 from the 'unsupported function' list.
19 Aug 2004	PMC	1.00a	2	Added connection information. Added part number Spelling corrections Notes on testing.
20 Aug 2004	PMC	1.00a	3	Add Reference to Rapid Engineering
20 Oct 2004	PMC	1.00a	4	References to ICSI's added
17 Dec 2004	PMC	1.00d	0	Time and Date write command is now supported.
14 Jan 2004	PMC	1.00e	0	Minor changes and banner change.
17 Oct 2005	PMC	1.00f	0	Issued for Release
7 Jun 2021	YC	1.00f	5	Updated to new template.